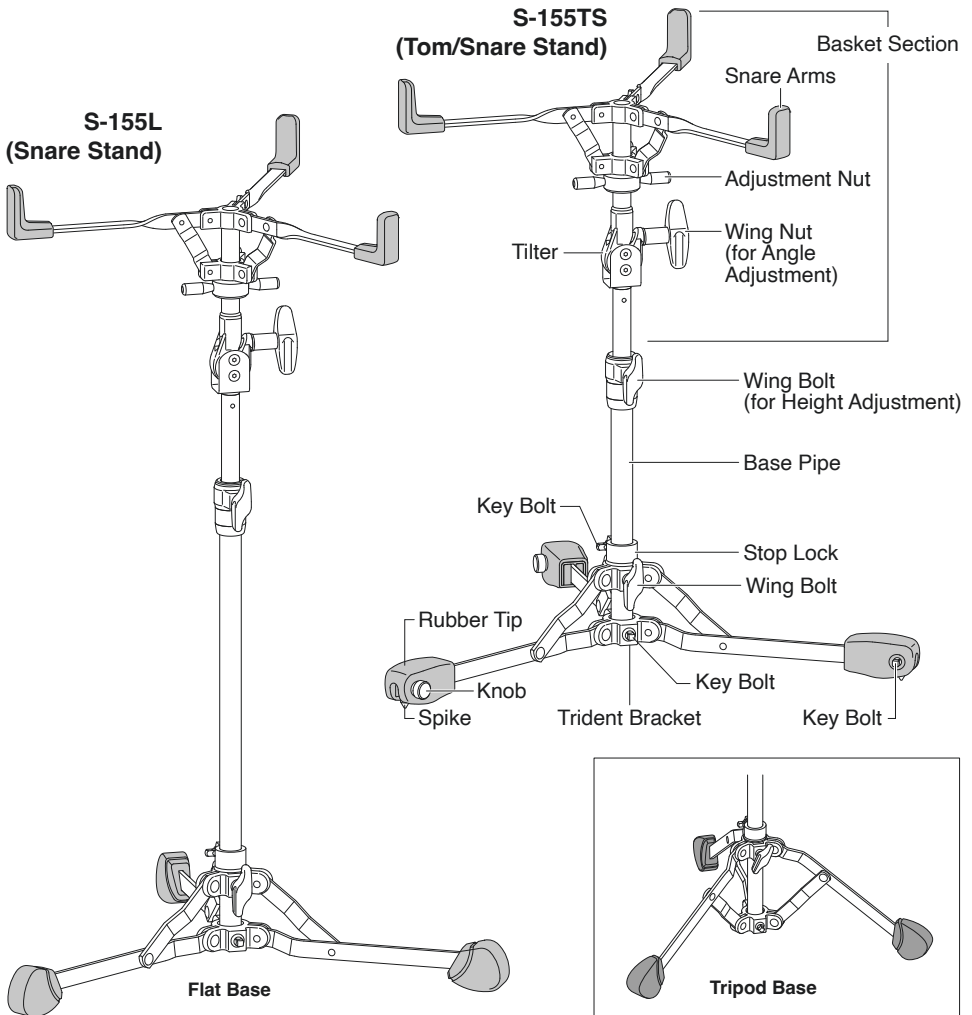


PEARL SNARE & TOM/SNARE STAND

S-155L / S-155TS

Instruction Manual

Congratulations on your purchase!
 To get optimum performance of your S-155L and S-155TS Tom/Snare Stand,
 please read this Instruction Manual before playing.



Converting the Base from a Flat Base to a Tripod Base

The S-155L and S-155TS Stands feature a convertible Tripod Base that can be configured in a Flat Base or traditional Tripod configuration. Both stands come prepack-aged from the factory in the Flat Base embodiment. To convert the base, loosen the Wing Bolt and the Key Bolt (using the supplied Drum Key), then slide the Tripod off the Base Pipe (Fig.1).

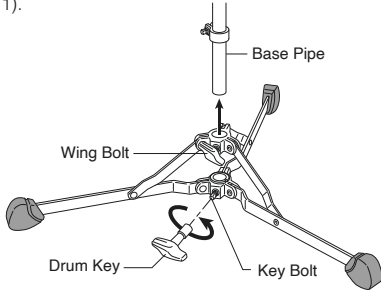


Fig.1

Note

- Make sure to remove the snare drum from the stand before converting the stand.
- Support the Base Pipe with one hand to prevent the stand from falling.

Turn the Base Assembly over from Flat Base to Tripod Base, and change the Wing Bolt and the Key Bolt so that the Key Bolt is always at the bottom (Fig.2).

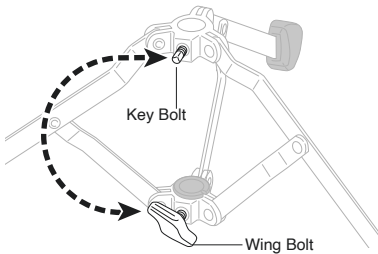


Fig.2

Spread the Tripod Legs and insert the Base Pipe. Make sure that the bottom of the Base Pipe is flush with the bottom of the Trident Bracket (Fig.8), then tighten the Key Bolt (using the Drum Key) and the Wing Bolt (Fig.3). Loosen the Key Bolt of the Stop Lock using a Drum Key and adjust the position of the Stop Lock. Ensure the Stop Lock is set against the upper Tripod Collar, then tighten the Key Bolt to secure it (Fig.9).

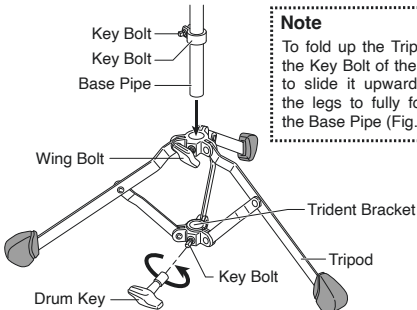


Fig.3

Note

To fold up the Tripod, loosen the Key Bolt of the Stop Lock to slide it upwards to allow the legs to fully fold against the Base Pipe (Fig.3).

Converting the Base from Tripod Base to Flat Base

To convert the Tripod back to the Flat Base embodiment, loosen the Wing Bolt and the Key Bolt (using the supplied Drum Key,) then slide the Tripod off the Base Pipe (Fig.4).

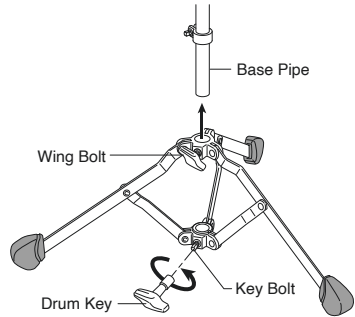


Fig.4

Note

- Make sure to remove the snare drum from the stand before converting the stand.
- Support the Base Pipe with one hand to prevent the stand from falling.

Turn the Base Assembly over from Tripod Base to Flat Base, and change the Wing Bolt and the Key Bolt so that the Key Bolt is always at the bottom (Fig.5).

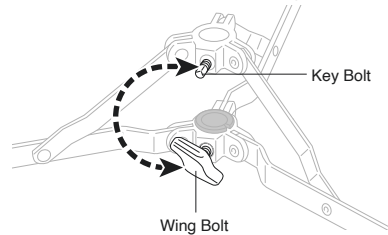


Fig.5

Spread the legs and insert the Base Pipe. Make sure that the bottom of the pipe and the Trident Bracket are set flush, (Fig.7) and tighten the Wing Bolt and the Key Bolt using a Drum Key (Fig.6). Loosen the Key Bolt of the Stop Lock using a Drum Key and adjust the position of the Stop Lock. Make sure that the Stop Lock is set against the Base and tighten the Key Bolt to secure (Fig.9).

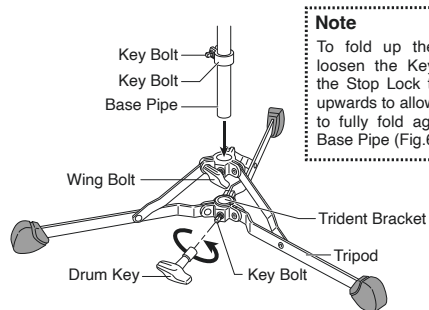


Fig.6

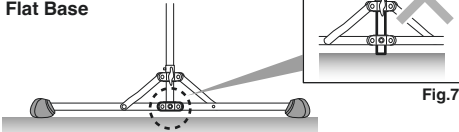
Note

To fold up the Tripod, loosen the Key Bolt of the Stop Lock to slide it upwards to allow the legs to fully fold against the Base Pipe (Fig.6).

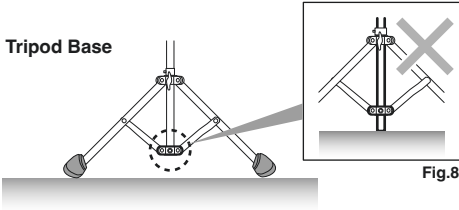
CAUTION

Ensure that the Base Pipe is flush with the bottom of the Trident Bracket, with the Key Bolt positioned at the bottom of the Tripod for both the Flat Base and Traditional Tripod configurations (Fig.7,8).

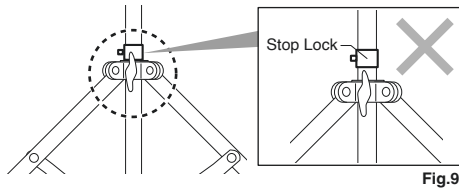
Flat Base



Tripod Base

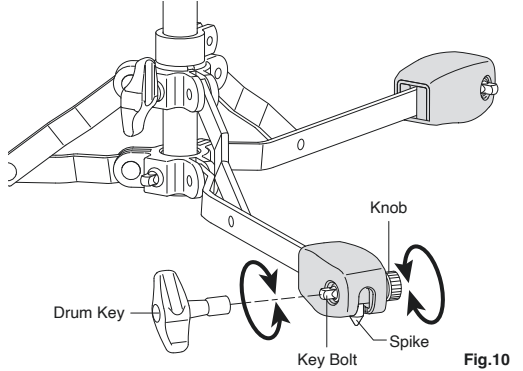


Before use, always ensure the Stop Lock is set against the Tripod Collar with the Key Bolt tight to secure the Tripod setting for both Flat Base and Traditional Tripod configurations (Fig.9).



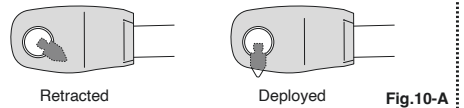
Usage of Leg Spike (S-155TS ONLY)

The S-155TS features Rubber Feet with Retractable Spikes for enhanced tonal resonance and secure placement. The Retractable Spikes are only assessable in the Flat Base configuration. To deploy or retract the spikes, loosen the Key bolt using the supplied Drum Key, turn the Knob clockwise to deploy, and counterclockwise to retract the Spikes. Then, tighten the Key Bolt to secure the setting and repeat this process for each of the three legs (Fig.10).



Note

When deploying the spike, make sure it comes out vertically (Fig.10-A).



WARNIG

- The ends of the Retractable Spikes are sharp, avoid bodily contact and do not use on hardwood, vinyl, or any flooring susceptible to dents. Failure to do so may cause bodily injury or personal property damage. Always use caution when setting the Retractable Spikes.
- During storage or transport, always ensure the Retractable Spikes are fully retracted inside the Rubber Feet.
- Pearl Musical Instrument Company and Affiliates cannot be held responsible for personal injuries or property damage caused by the misuse, improper handling, failure to follow product warnings and instructions, or product use outside of its intended purpose.

How to Assemble the Stand (S-155L/S155TS)

After configuring the Tripod to your desired embodiment, insert the Basket Assembly into the Base Pipe of the Tripod Assembly and tighten the Wing Bolt (Fig. 11).

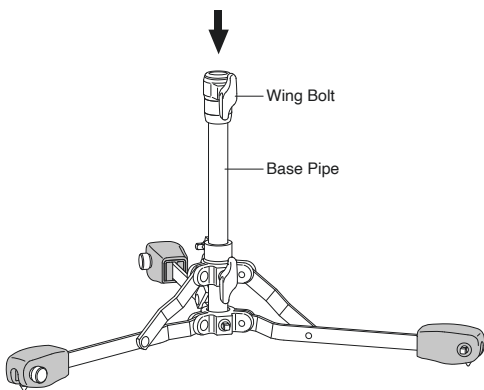
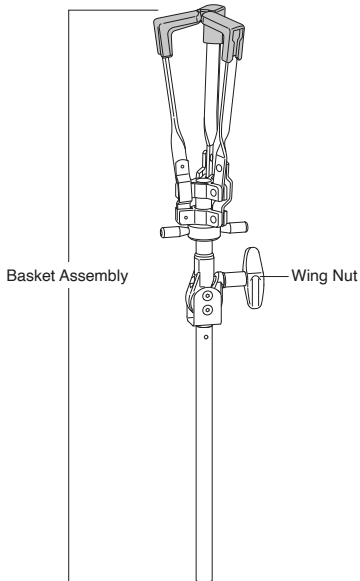


Fig.11 (S-155TS Shown)

Caution

- Use care not to pinch your fingers.
- To avoid the possibility of injury, do not put your fingers into the tubes when handling tubular hardware.

Next, raise the Basket Assembly with Snare Arms folded until it is vertically straight and tighten the Wing Nut (Fig. 11).

Unfold the Snare Arms of the Basket Assembly and loosen the Adjustment Nut until the Snare Arms are horizontally straight to accept your desired drum (Fig.12).

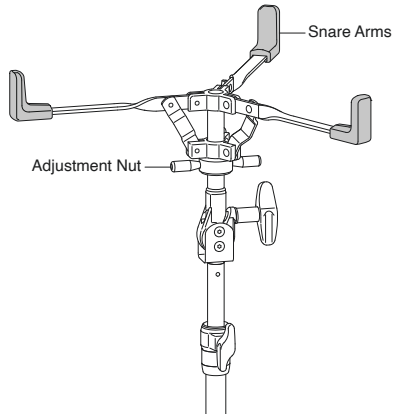


Fig.12

Caution

- Do not over-loosen the Adjustment Nut; doing so will allow the center of the Snare Basket Assembly to contact the bottom head of your drum during mounting.
- Use care not to pinch your fingers.

Note

- The S-155L and S-155TS are designed to work with 12"-14" diameter drums. (Snare Drum or Tom)

Place the drum onto the Snare Arms of the Snare Basket Assembly and tighten the Adjustment Nut until a snug fit is achieved to secure the drum into place (Fig.12-A).

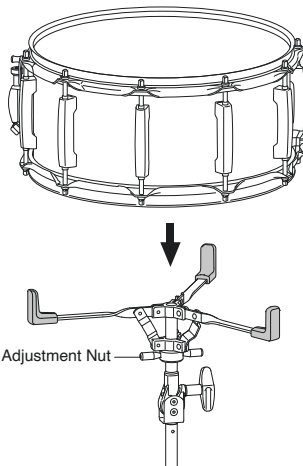


Fig.12-A

Caution

- Check to ensure the Wing Nut of the Tilter is tight before placing the drum onto the Snare Arms. Do not overtighten the Adjustment Nut; doing so may damage the drum's hoop.

Tilt Adjustment

The Uni-Lock is gearless and provides infinite tilt adjustment. To adjust the tilt setting with the drum mounted on the stand, firmly hold the drum and loosen the Wing Nut, set it to your desired tilt, and tighten it to secure the setting (Fig.13).

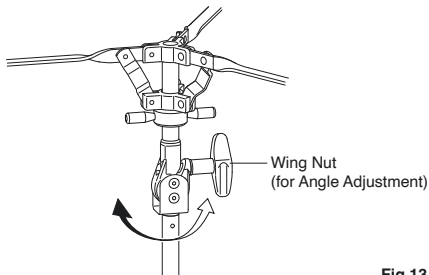


Fig.13

Caution

- If making a tilt adjustment with the drum in the Snare Basket Assembly, always support the drum with one hand to keep it from falling. Failure to do so may result in personal injury or property damage.

CAUTION

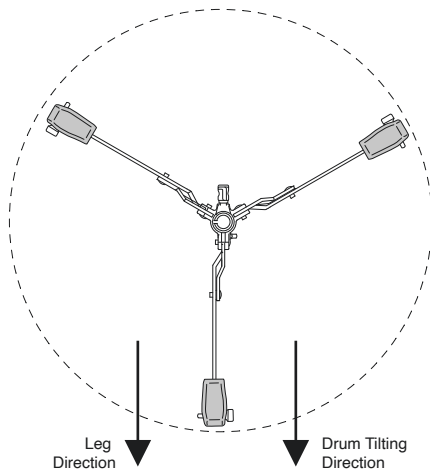
- ◆ When making any stand adjustments, use one hand to support the stand to prevent it from falling, and use your other hand to loosen or tighten the Wing Bolts/Key Bolts. Always remove the drum when converting the Base and/or adjusting the Retractable Spikes. Keep your fingers clear of folding parts to avoid pinching or bodily.
- ◆ When handling tubular hardware, never put your fingers into the tubes; doing so may cause bodily harm.
- ◆ Do not tighten the Wing/Key Bolts without pipes inserted into the respective collars; doing so will damage the stand.
- ◆ Always use the stand on a flat-level surface and ensure it is stable before use. Failure to do so may result in personal property damage or bodily harm.

California Proposition 65



Caution

- For optimum stability. One leg should be placed in the same direction as the tilt of the drum.



Pearl

<https://www.pearldrums.com>

Products and specifications are subject to change without notice.

Printed in China

-Dec-2023-