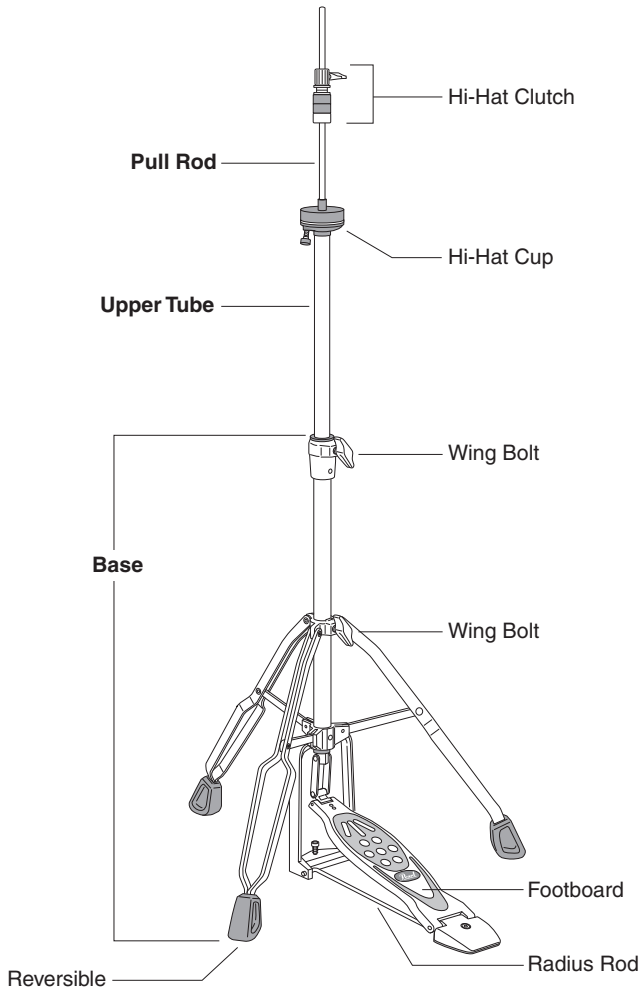


PEARL HI-HAT STAND

H-72W

Instruction Manual

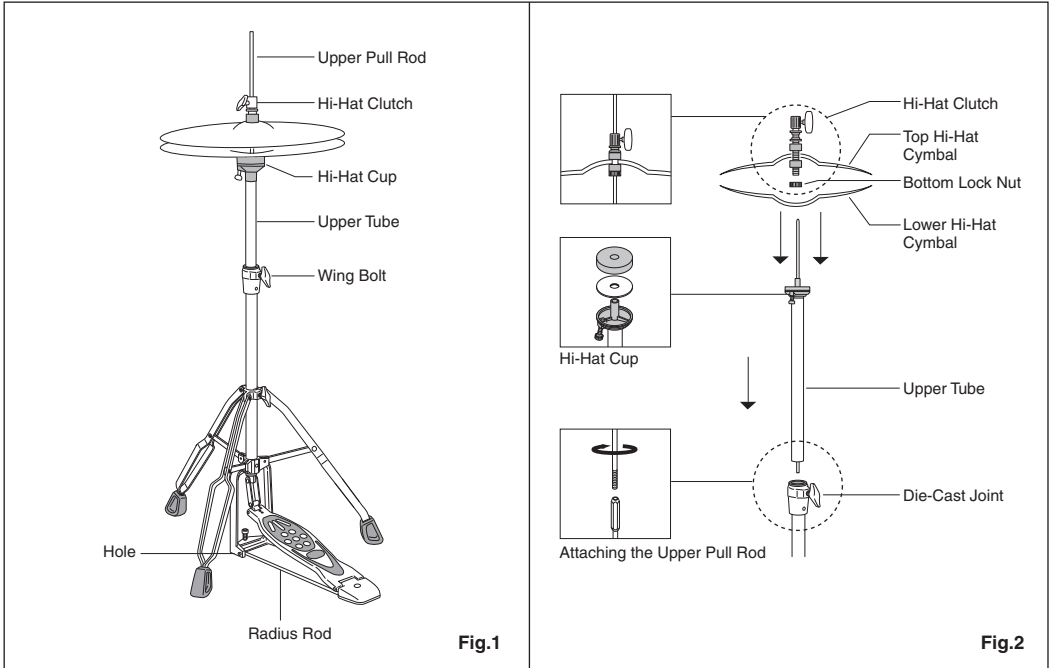
Congratulations on your purchase!
To get optimum performance of your H-72W Hi-Hat Stand,
please read this Instruction Manual before playing.



Hi-Hat Stand Assembly

Open the legs of the hi-hat to form a stable tripod. Insert the ends of the radius rod into the holes near the bottom of the hi-hat base (Fig. 1). Thread the upper pull rod into the connector as shown (Fig. 2).

Place the upper tube over the upper pull rod and into the tripod base and set the height to your preference. Rest the lower hi-hat cymbal on the hi-hat cup. Attach the top hi-hat cymbal to the clutch in the order shown then slide the clutch with the top cymbal attached onto the upper pull rod. Adjust the distance between the top and lower hi-hat cymbals to your preference by stepping on the pedal and tightening the wing bolt on the clutch when the desired distance is achieved.



⚠ Caution

- ◆ Periodically lightly lube external moving parts such as the Chain, Wing Nuts, Wing Bolts, Key Bolts, and Footboard Hinge to achieve optimum performance from your hi-hat.

Pearl[®]

<http://www.pearldrums.com>

Products and specifications are subject to change without notice.

Printed in Taiwan.

-0701-