

Mounting the Seat

1. Remove the Tape and Protective Cap located at the top of the Gas-Lift Post (Fig.1).

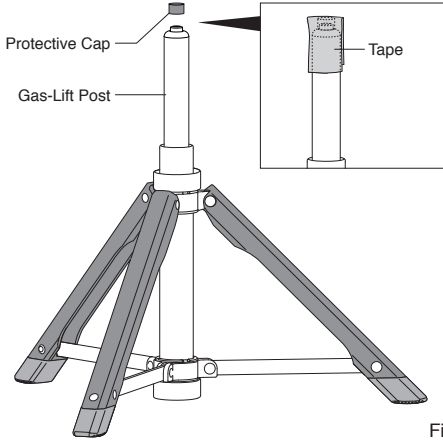


Fig.1

NOTE

•The Protective Cap must be removed from the Gas-Lift Post before attaching the seat top. Failure to do so will prevent the height-adjustment function from working correctly.

•Keep the Protective Cap for Throne transportation. To transport the Throne, adjust the seat height to the lowest setting. (See Height Adjustment.) Next, remove the seat cushion and stow. Then reinstall the Protective Cap onto the top of the Gas-lift Post, use tape to hold it in place and to secure the setting.

2. Hold the Seat with both hands and insert the Seat Bracket onto Gas-lift Post. Tighten Wing-Bolt on the Seat Bracket to secure the seat (Fig.2).

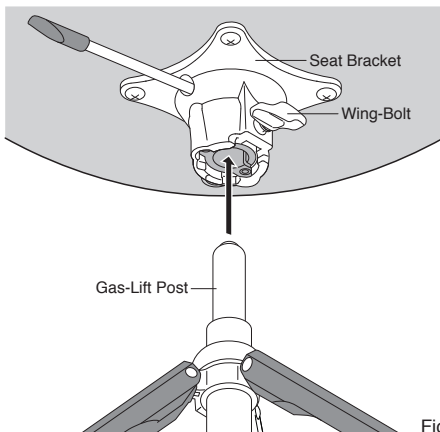


Fig.2

NOTE

•Routinely check the Wing-Bolt to ensure it remains tight for increased stability during use and transport.

CAUTION

- Never touch the Release Button of the Gas-Lift Post. Doing so may cause it to extend rapidly and could result in personal injury (Fig 3).
- Always ensure the Protective Cap is installed onto the Gas-Lift Post after removing the Seat (Fig 3).

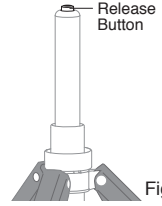


Fig.3

Height Adjustment

Raising the Seat: While sitting on the Throne, gently lift your body-weight off the seat while remaining in contact with the seat. Next, pull the Height Adjustment Lever to raise the seat to the desired height, then release it to hold the adjustment (Fig 4).

Lowering the Seat: Sitting on the seat, pull the Height Adjustment Lever while putting your weight on the seat cushion to push it downward. Once the desired height is achieved, release the Height Adjustment Lever to hold the adjustment (Fig 4).

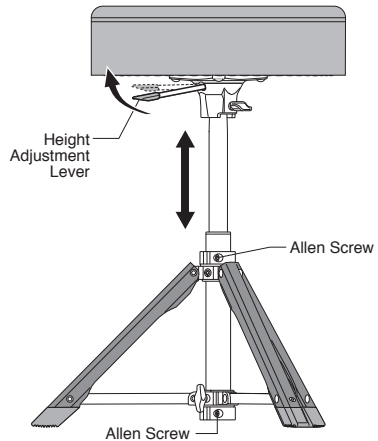


Fig.4

NOTE

•Routinely check the Allen Screws using a 5mm wrench to ensure they are tight for tripod stability.

•The Gas-Lift Post comes pre-lubed for smooth function and adjustment.

⚠ CAUTION

- Use extreme caution when setting your Throne on uneven or slanted floors to prevent the Throne from tipping and causing possible injury to the user.
- The Drum Throne is intended for seating while playing drums only! Do not use it as a ladder, footstool, or in any manner other than its intended use.
- Make sure all screws and bolts are tight and secure before use.
- When folding the tripod legs, be careful not to pinch your fingers between the legs and the stand.
- To prevent injury to your fingers when handling tubular hardware, never insert your fingers into the tubes.



<http://www.pearldrums.com>

Products and specifications are subject to change without notice.

Printed in China

-20-04-