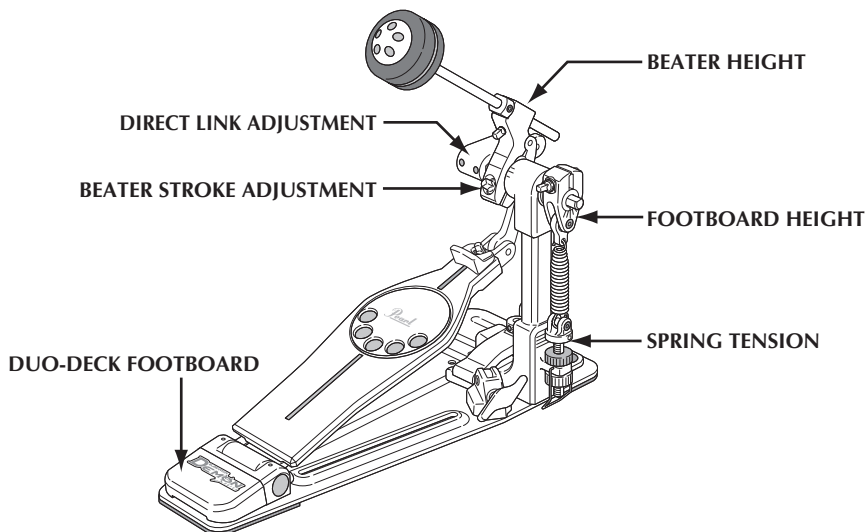

ELIMINATOR **DEMON** DRIVE

Quick Set Up Manual



The Eliminator Demon Drive Pedal gives you nearly endless adjustments to customize the feel to your exact preference. Start with the three basic settings below and fine tune the Beater Position, Footboard Angle, and Spring Tension to perfectly match your playing style. Refer to the included manual for the adjustment of each parts.

Pearl

<http://www.pearldrums.com>

Products and specifications are subject to change without notice.

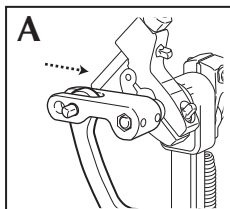
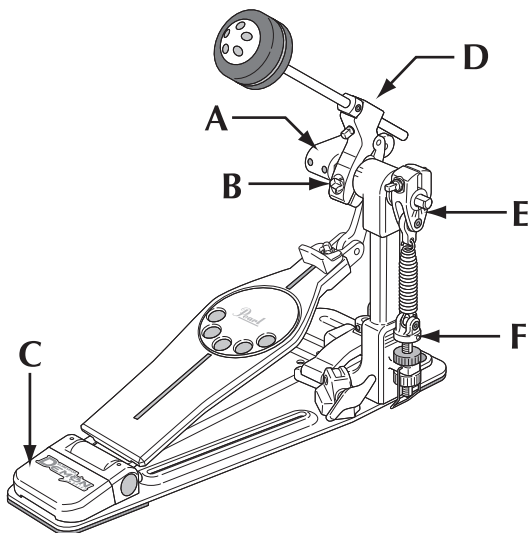
Printed in Taiwan

-1203-

SPEED SETTING

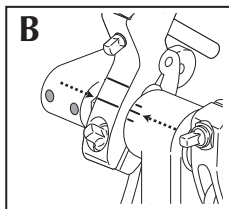
(factory setting)

• For players seeking High Speed and Accuracy



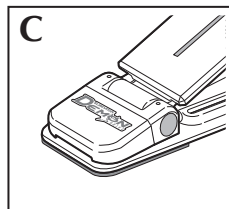
DIRECT LINK ADJUSTMENT

HEAVY "H" POSITION



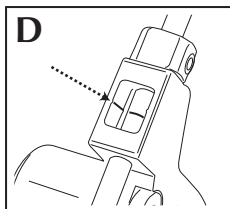
BEATER STROKE ADJUSTMENT

FINESSE "A" POSITION



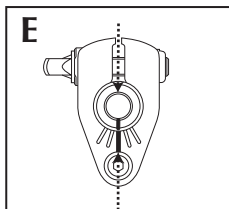
DUO-DECK FOOTBOARD

SHORT BOARD



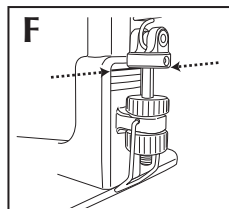
BEATER HEIGHT

STANDARD POSITION



FOOTBOARD HEIGHT

STANDARD POSITION

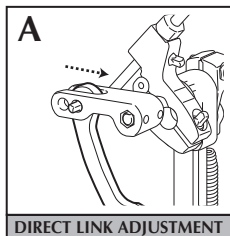
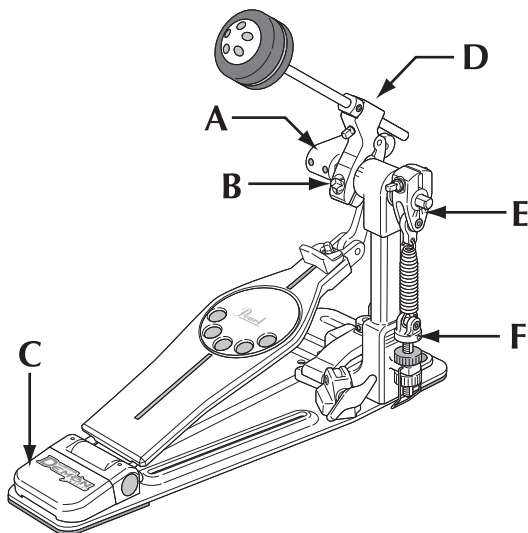


SPRING TENSION

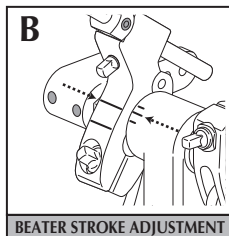
STANDARD POSITION

POWER SETTING

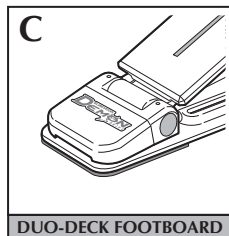
• For players seeking Powerful Defined Tone



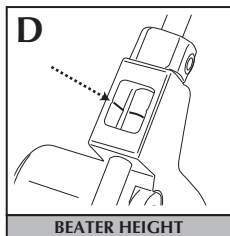
DIRECT LINK ADJUSTMENT
HEAVY "H" POSITION



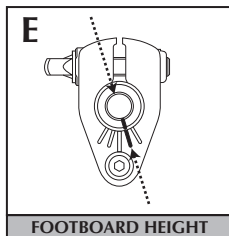
BEATER STROKE ADJUSTMENT
POWER "B" POSITION



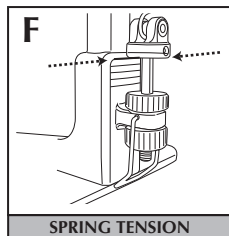
DUO-DECK FOOTBOARD
SHORT BOARD



BEATER HEIGHT
STANDARD POSITION



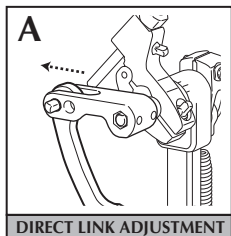
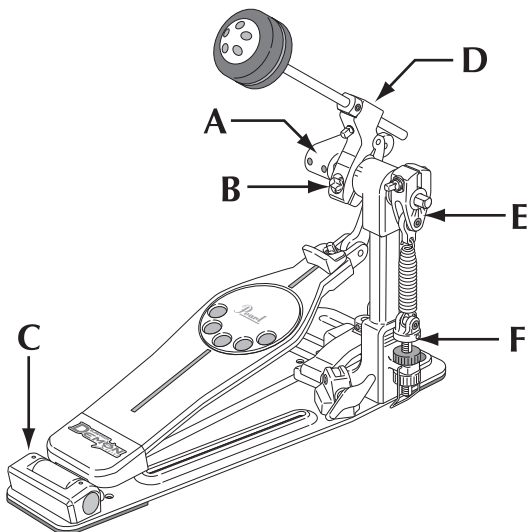
FOOTBOARD HEIGHT
ONE NOTCH BEFORE
STANDARD POSITION



SPRING TENSION
ONE NOTCH ABOVE
STANDARD POSITION

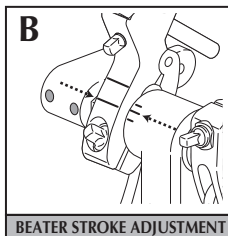
LIGHT SETTING

• For players seeking Light Feel with Power



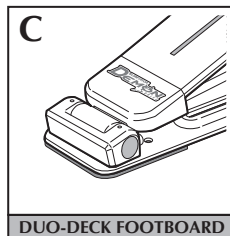
DIRECT LINK ADJUSTMENT

LIGHT "L" POSITION



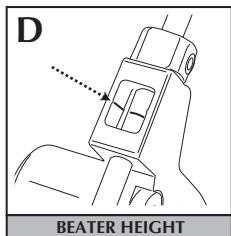
BEATER STROKE ADJUSTMENT

FINESSE "A" POSITION



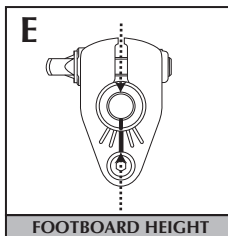
DUO-DECK FOOTBOARD

LONG BOARD



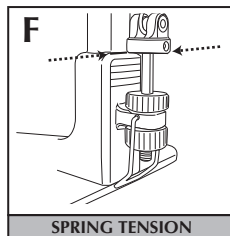
BEATER HEIGHT

STANDARD POSITION



FOOTBOARD HEIGHT

STANDARD POSITION



SPRING TENSION

TWO NOTCHES ABOVE
STANDARD POSITION